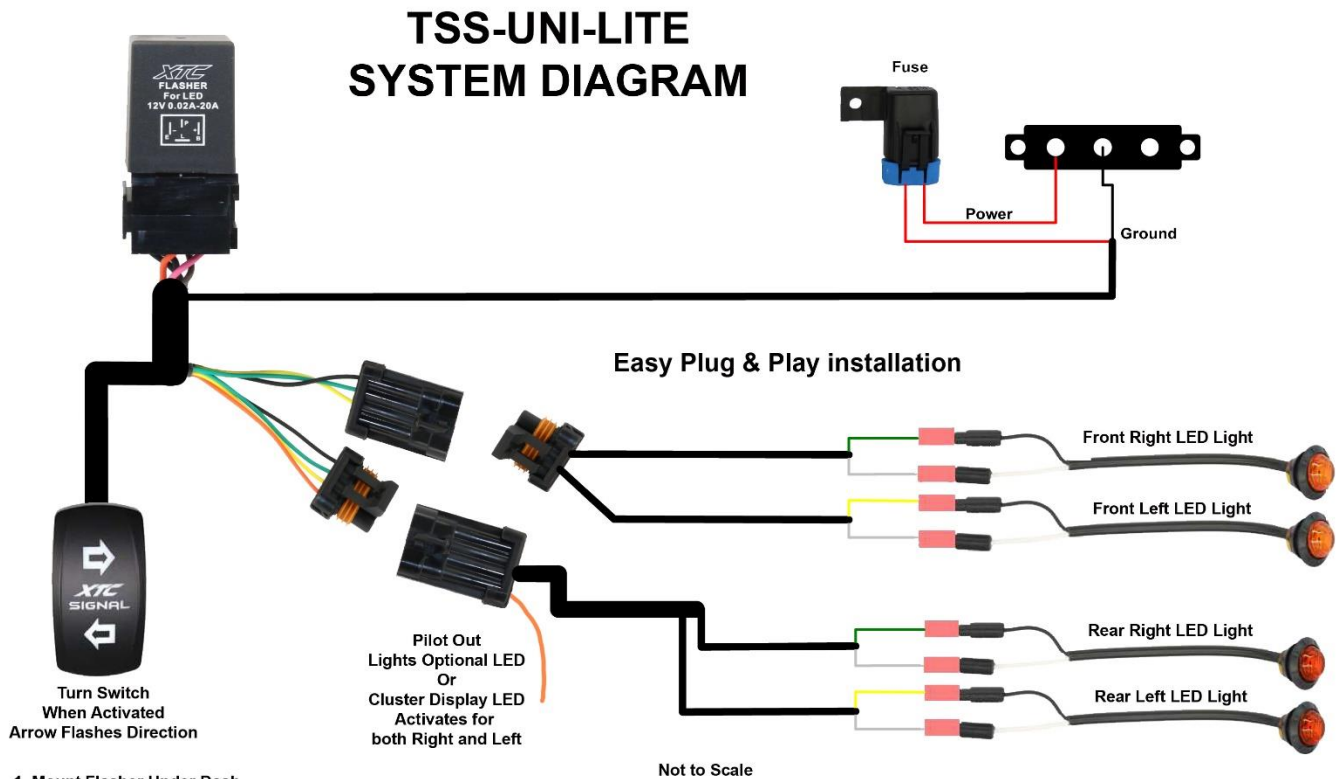




TSS-UNI-LITE

UNIVERSAL TURN SIGNAL SYSTEM

Thank you for purchasing XTC Power Products Turn Signal System. Our new Easy Install Turn Signal System is unique from the other kits on the market. This kit is completely plug and play, no wires to cut with only power, ground and install the four LED turn lights. Since this is a universal system the install instructions are basic. Each Vehicle is unique so follow the manufacturers instructions on dash and panel removal and be sure when Drilling holes or Cutouts that there is adequate space behind the hole before cutting.



1. Mount Flasher Under Dash
2. Drill Four Holes and Mount LED Lights
3. Run Front and Rear Wires to the Flasher
4. Cut Out Rectangle for Switch
5. Install Turn Switch
6. Hook Up Power and Ground.
7. Go Enjoy your UTV

1. **Remove the flasher from the socket** - mount the relay socket under the dash or other suitable place using the supplied screw and Plug the flasher back in.

WARNING! Verify that there is clearance before drilling the holes for the LED's and keep the harness away from any hot or moving parts.

2. **Install the two front LED lights** - Drill 3/4" holes in the front corners, remove the rubber grommets from the LED's and insert into the holes, insert the LED's into the grommets with the mark TOP on top.
3. **Run the short front harness** from the front LED lights to the Flasher Harness and plug into mating connector. The Green wire harness goes to the right/passenger side and the yellow wire harness goes to the left/driver's side. Both green and yellow wires are positive and go to the black wire on each side, the white wire goes to white. Secure the harness with the provided cable ties. **NOTE: Black wire is positive, and the White is ground, they will not work if reversed.**
4. **Install the Rear lights-** Decide where to mount the two RED LED 3/4" lights in the rear of the car, drill the 3/4" holes, remove the rubber grommets from the lights and insert into the holes, then insert the LED's into the grommets with the mark TOP on top.
5. **Run the Rear Harness** - Start at the right rear of the car and attach the Green and White wires to the right rear LED, the Green gets attached to the black wire and the white to the white wire. Do the same for the left, the Yellow wire gets attached to the black wire and the white wire goes to the white wire. Run the rest of the harness with the four-pin connector up to the control box and plug into the mating connector, make sure to keep the harness away from any hot or moving parts, secure with provided cable ties. **NOTE: Black wire is positive, and the White is ground, they will not work if reversed.**

WARNING! Verify that there is clearance behind dash for the Turn switch

6. **Install the Turn Switch** - Using the switch template, mark the rectangle for the turn switch and drill a hole in each corner, cut out the rectangle, DO NOT OVERCUT. Run the switch connector through the cutout and plug the Turn Switch in, install switch into dash.
7. **Run the power wire.** Attach the red wire to switched/Keyed 12vdc and the black wire to ground. If there are no factory posts, use the included T-Taps. Find 12vdc like the accessory power out or other switched/keyed power and crimp the taps into the positive and negative wires. Cut off the ring terminals, strip and crimp red male slip connectors on. Insert the red wire with new connector into the previously installed taps, make sure the red goes to positive and the black goes to the negative. If unable to locate switched power, then connect directly to battery, fused red wire to positive and black to negative, see note below.
8. **Verify operation** – Check all lights and secure the harnesses with the provided cable ties.

Optional - The Orange wire is for an optional Dash Indicator. When the TSS is activated it will flash 12 VDC that can be attached to an Optional Dash Mounted LED Light, it is non-directional, it will light for either right or left turns.

For more details on installation go to www.xtinstall.com

We can also be reached by email at support@xtcpowerproducts.com

XTC Power Products
A Division of XTC Motorsports LLC
925 N McQueen RD. #101
Gilbert AZ 85233
480-558-8588

www.xtcpowerproducts.com

*Disclaimer: This kit is intended for off road use only and XTC Motorsports claims no responsibility for its use. It is up to the purchaser to make sure it complies with all Federal, State and Local laws.

R1

Copyright © 2018 XTC MOTORSPORTS LLC, all rights reserved.